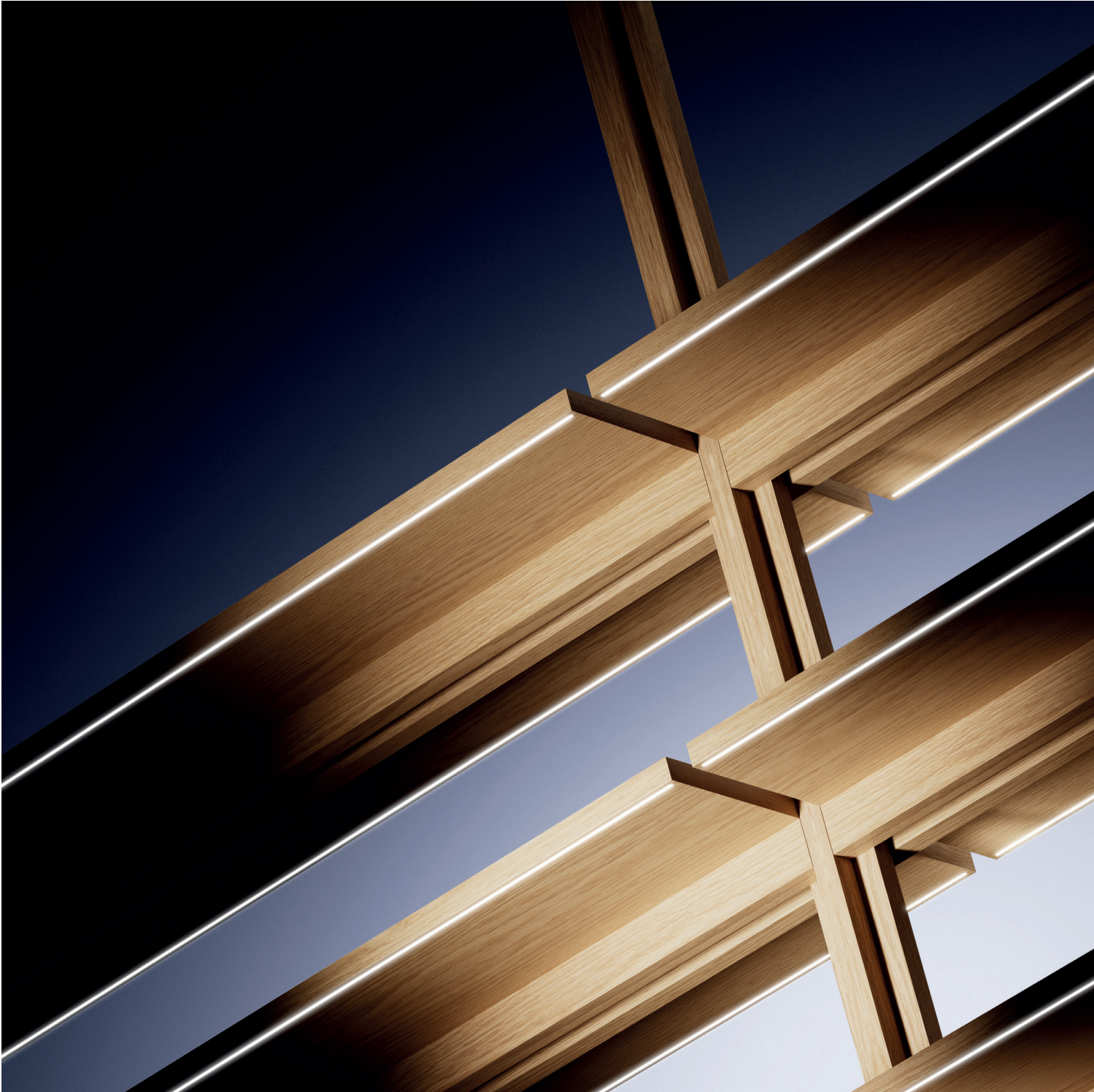


TDS
Technical Data Sheet

Release Date
10 2023



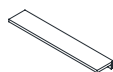
X shelving unit takes its name from the distinctive x-shaped vertical post that forms the main structure. The connection between shelves and uprights creates a very light ceiling-floor partition element, which separates collective work areas from more private and individual zones.

Distinctive elements of X are the red spring loaded ceiling and the adjustable stainless steel foot: together, they guarantee stability to the structure and allow easy reconfiguration.

The structure, in a single- or double-sided version, is available in compositions with 5 or 6 shelves with a height of the vertical uprights ranging from 240 to 269 cm (modules with 5 shelves), and from 270 to 300 cm (modules with 6 shelves).

A converging connector allows the shelf to be clamped to the rack integrated in the upright; it also serves as a power transmission element in the case of a system with integrated lighting.

The choice of finishing materials, ash wood and natural oak, the minimalist aesthetics, the great scalability and the simplicity of re-configuration, allow the X shelving system to fit easily into a wide range of spaces, from workplaces to retail areas. The proposal is completed by a magnetic board with a metal structure available in three sizes and two finishes: melamine, white or grey, and felt.



POSTS AND SHELVES

X-shaped vertical post

8x8xH240/269 cm
VXS MV 240 ..

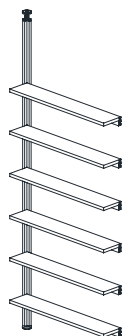
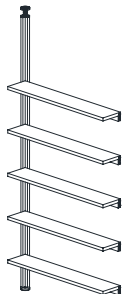
8x8xH270/300 cm
VXS MV 270 ..

Shelf

117,4x21,5 xH7,7 cm
VXS ME 117 ..

177,4x21,5xH7,7 cm
VXS ME 177 ..

197,4x21,5xH7,7 cm
VXS ME 197 ..



COMPOSITION MODULES

**Module for single-sided compositions
H. 240/269 cm with 5 shelves**

123x26,8xH240/269 cm
VXI 123 240 M5 ..

183x26,8xH240/269 cm
VXI 183 240 M5 ..

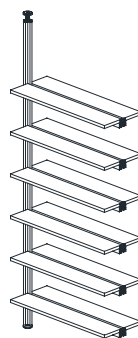
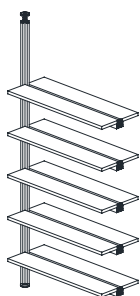
203x26,8xH240/269 cm
VXI 203 240 M5 ..

**Module for single-sided compositions
H. 270/300 cm with 6 shelves**

123x26,8xH270/300 cm
VXI 123 270 M6 ..

183x26,8xH270/300 cm
VXI 183 270 M6 ..

203x26,8xH270/300 cm
VXI 203 270 M6 ..

**Module for double-sided
compositions H. 240/269 cm
with 5 shelves**

123x26,8xH240/269 cm
VXI 123 240 B5 ..

183x26,8xH240/269 cm
VXI 183 240 B5 ..

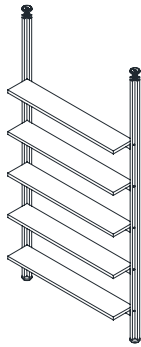
203x26,8xH240/269 cm
VXI 203 270 M6 ..

**Module for double-sided
compositions H. 270/300 cm
with 6 shelves**

123x26,8xH270/300 cm
VXI 123 270 B6 ..

183x26,8xH270/300 cm
VXI 183 270 B6 ..

203x26,8xH270/300 cm
VXI 203 270 B6 ..

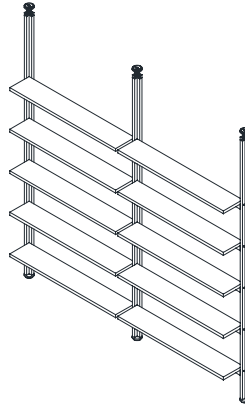


Single-sided bookshelf H. 240/269 cm with 5 shelves - 1 module with 2 posts

128x26,8xH240/269 cm
VX1 128 240 M5 ..

188x26,8xH240/269 cm
VX1 188 240 M5 ..

208x26,8xH240/269
VX1 208 240 M5 ..

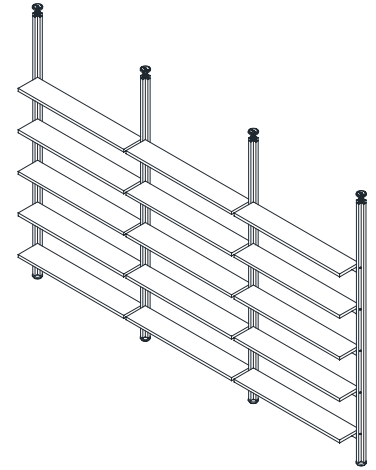


Single-sided bookshelf H. 240/269 cm with 5 shelves - 2 modules with 3 posts

248x26,8xH240/269 cm
VX2 248 240 M5 ..

368x26,8xH240/269 cm
VX2 368 240 M5 ..

408x26,8xH240/269 cm
VX2 408 240 M5 ..



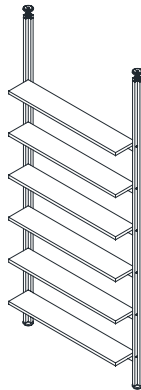
Single-sided bookshelf H. 240/269 cm with 5 shelves - 3 modules with 4 posts

368x26,8xH240/269 cm
VX3 368 240 M5 ..

548x26,8xH240/269 cm
VX3 548 240 M5 ..

608x26,8xH240/269 cm
VX3 608 240 M5 ..

SINGLE-SIDED COMPLETE BOOKSHELVES

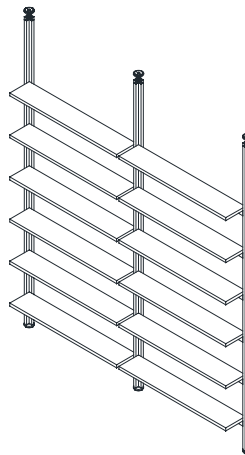


Single-sided bookshelf H. 270/300 cm with 6 shelves - 1 module with 2 posts

128x26,8xH270/300 cm
VX1 128 270 M6 ..

188x26,8xH270/300 cm
VX1 188 270 M6 ..

208x26,8xH270/300 cm
VX1 208 270 M6 ..

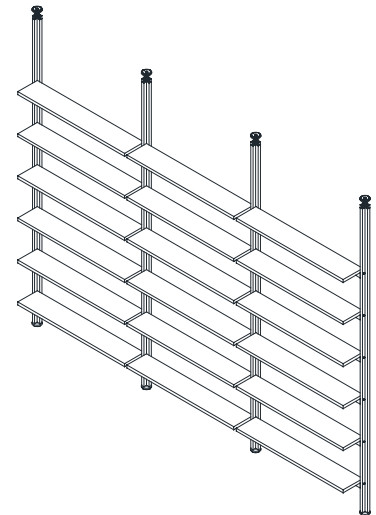


Single-sided bookshelf H. 270/300 cm with 6 shelves - 2 modules with 3 posts

248x26,8xH270/300 cm
VX2 248 270 M6 ..

368x26,8xH270/300 cm
VX2 368 270 M6 ..

408x26,8xH270/300 cm
VX2 408 270 M6 ..

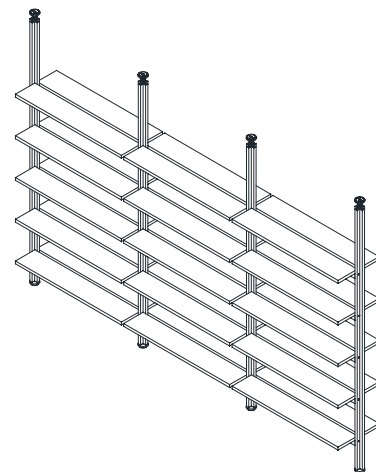
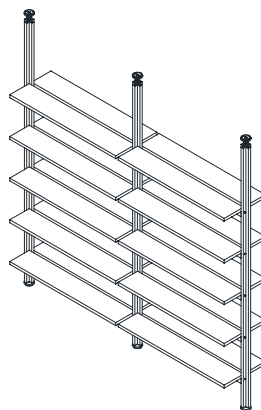
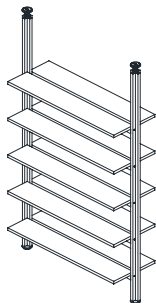


Single-sided bookshelf H. 270/300 cm with 6 shelves - 3 modules with 4 posts

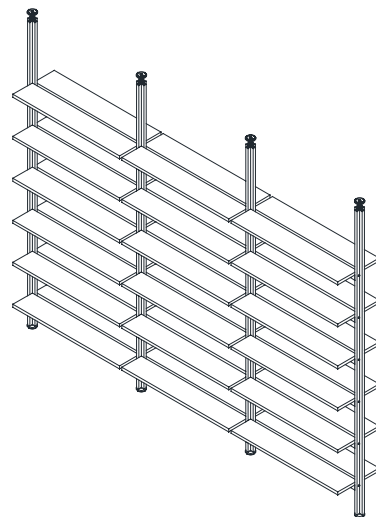
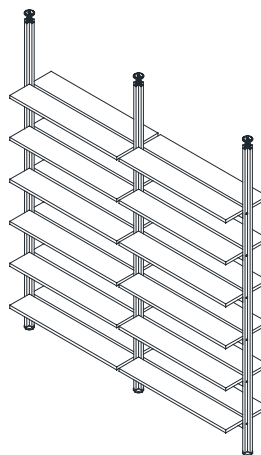
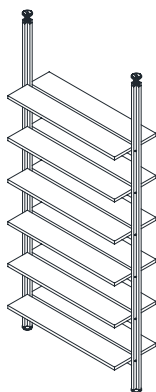
368x26,8xH270/300 cm
VX3 368 270 M6 ..

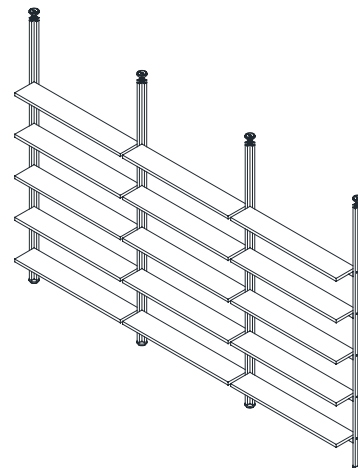
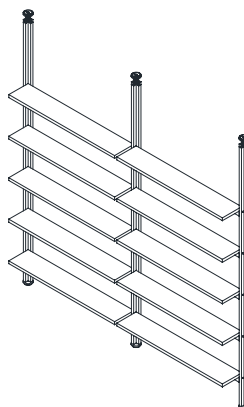
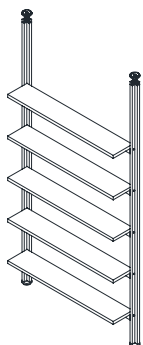
548x26,8xH270/300 cm
VX3 548 270 M6 ..

608x26,8xH270/300 cm
VX3 608 270 M6 ..



DOUBLE-SIDED COMPLETE BOOKSHELVES

Double-sided bookshelf H. 240/269 cm with 6 shelves - 1 module with 2 posts128x45,5xH240/269 cm
VX1 128 240 B5 ..188x45,5xH240/269 cm
VX1 188 240 B5 ..208x45,5xH240/269 cm
VX1 208 240 B5 ..**Double-sided bookshelf H. 240/269 cm with 6 shelves - 2 modules with 3 posts**248x45,5xH240/269 cm
VX2 248 240 B5 ..368x45,5xH240/269 cm
VX2 368 240 B5 ..408x45,5xH240/269 cm
VX2 408 240 B5 ..**Double-sided bookshelf H. 240/269 cm with 6 shelves - 3 modules with 4 posts**368x45,5xH240/269
VX3 368 240 B5 ..548x45,5xH240/269 cm
VX3 548 240 B5 ..608x45,5xH240/269 cm
VX3 608 240 B5 ..**Double-sided bookshelf H. 270/300 cm with 6 shelves - 1 module with 2 posts**128x45,5xH270/300 cm
VX1 128 270 B6 ..188x45,5xH270/300 cm
VX1 188 270 B6 ..208x45,5xH270/300 cm
VX1 208 270 B6 ..**Double-sided bookshelf H. 270/300 cm with 6 shelves - 2 modules with 3 posts**248x45,5xH270/300 cm
VX2 248 270 B6 ..368x45,5xH270/300 cm
VX2 368 270 B6 ..408x45,5xH270/300 cm
VX2 408 270 B6 ..**Double-sided bookshelf H. 270/300 cm with 6 shelves - 3 modules with 4 posts**368x45,5xH270/300 cm
VX3 368 270 B6 ..548x45,5xH270/300 cm
VX3 548 270 B6 ..608x45,5xH270/300 cm
VX3 608 270 B6 ..



SINGLE-SIDED ELECTRIFIED COMPLETE BOOKSHELVES

Electrified single-sided bookshelf
H. 240/269 cm with 5 shelves - 1 module with 2 posts

128x26,8xH240/269 cm
VX1 128 240 M5W ..

188x26,8xH240/269 cm
VX1 188 240 M5W ..

208x26,8xH240/269 cm
VX1 208 240 M5W ..

Electrified single-sided bookshelf
H. 240/269 cm with 5 shelves - 2 modules with 3 posts

248x26,8xH240/269 cm
VX2 248 240 M5W ..

368x26,8xH240/269 cm
VX2 368 240 M5W ..

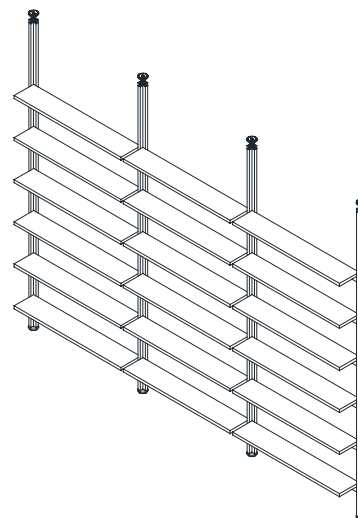
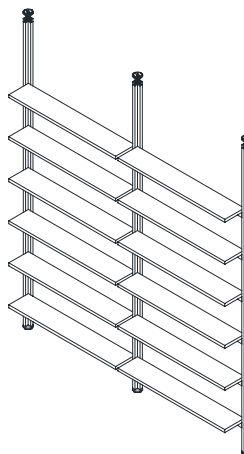
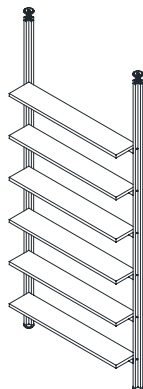
408x26,8xH240/269 cm
VX2 408 240 M5W ..

Electrified single-sided bookshelf
H. 240/269 cm with 5 shelves - 3 modules with 4 posts

368x26,8xH240/269 cm
VX3 368 240 M5W ..

548x26,8xH240/269 cm
VX3 548 240 M5W ..

608x26,8xH240/269 cm
VX3 608 240 M5W ..



Electrified single-sided bookshelf
H. 270/300 cm with 6 shelves - 1 module with 2 posts

128x26,8xH270/300 cm
VX1 128 270 M6W ..

188x26,8xH270/300 cm
VX1 188 270 M6W ..

208x26,8xH270/300 cm
VX1 208 270 M6W ..

Electrified single-sided bookshelf
H. 270/300 cm with 6 shelves - 2 modules with 3 posts

248x26,8xH270/300 cm
VX2 248 270 M6W ..

368x26,8xH270/300 cm
VX2 368 270 M6W ..

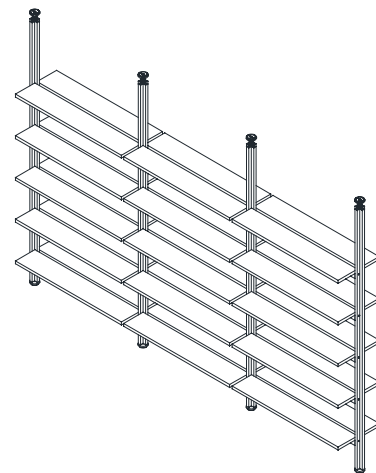
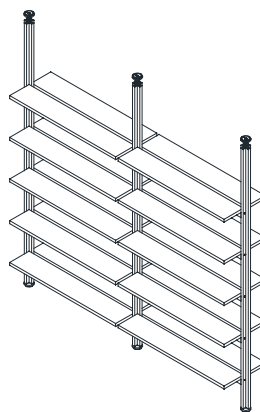
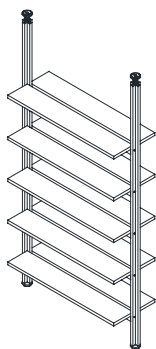
408x26,8xH270/300 cm
VX2 408 270 M6W ..

Electrified single-sided bookshelf
H. 270/300 cm with 6 shelves - 3 modules with 4 posts

368x26,8xH270/300 cm
VX3 368 270 M6W ..

548x26,8xH270/300 cm
VX3 548 270 M6W ..

608x26,8xH270/300 cm
VX3 608 270 M6W ..



DOUBLE-SIDED ELECTRIFIED
COMPLETE BOOKSHELVES

Electrified double-sided bookshelf
H. 240/269 cm with 6 shelves -
1 module with 2 posts

128x45,5xH240/269 cm
VX1 128 240 B5W ..

188x45,5xH240/269 cm
VX1 188 240 B5W ..

208x45,5xH240/269 cm
VX1 208 240 B5W ..

Electrified double-sided bookshelf
H. 240/269 cm with 6 shelves -
2 modules with 3 posts

248x45,5xH240/269 cm
VX2 248 240 B5W ..

368x45,5xH240/269 cm
VX2 368 240 B5W ..

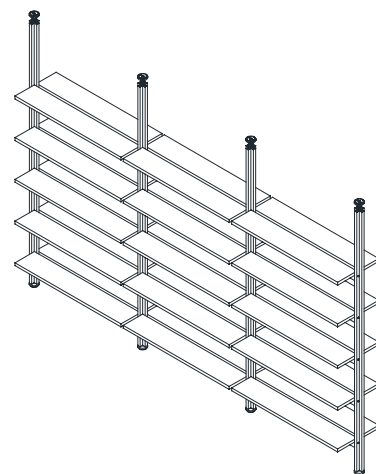
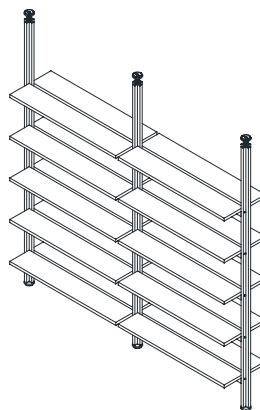
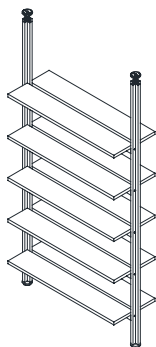
408x45,5xH240/269 cm
VX2 408 240 B5W ..

Electrified double-sided bookshelf
H. 240/269 cm with 6 shelves -
3 modules with 4 posts

368x45,5xH240/269 cm
VX3 368 240 B5W ..

548x45,5xH240/269 cm
VX3 548 240 B5W ..

608x45,5xH240/269 cm
VX3 608 240 B5W ..



Electrified double-sided bookshelf
H. 270/300 cm with 6 shelves -
1 module with 2 posts

128x45,5xH240/269 cm
VX1 128 270 B6W ..

188x45,5xH240/269 cm
VX1 188 270 B6W ..

208x45,5xH240/269 cm
VX1 208 270 B6W ..

Electrified double-sided bookshelf
H. 270/300 cm with 6 shelves -
2 modules with 3 posts

248x45,5xH240/269 cm
VX2 248 270 B6W ..

368x45,5xH240/269 cm
VX2 368 270 B6W ..

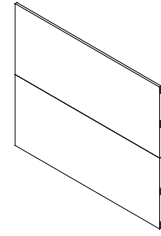
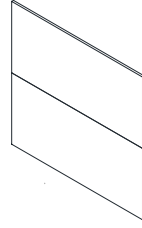
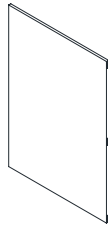
408x45,5xH240/269 cm
VX2 408 270 B6W ..

Electrified double-sided bookshelf
H. 270/300 cm with 6 shelves -
3 modules with 4 posts

368x45,5xH240/269 cm
VX3 368 270 B6W ..

548x45,5xH240/269 cm
VX3 548 270 B6W ..

608x45,5xH240/269 cm
VX3 608 270 B6W ..



ACCESSORIES

**Magnetic board
for 128 cm bookshelf module**

117,4x2,5xH167,7 cm
VXS LAS 167 ..

117,4x2,5xH207,7 cm
VXS LAS 207 ..

**Magnetic board
for 188 cm bookshelf module**

177,4x2,5xH167,7 cm
VXS LAM 167 ..

177,4x2,5xH207,7 cm
VXS LAM 207 ..

**Magnetic board
for 208 cm bookshelf module**

207,4x2,5xH167,7 cm
VXS LAL 167 ..

207,4x2,5xH207,7 cm
VXS LAL 207 ..

POSTS AND SHELVES FINISHES

Standard natural veneer
(certified genuine wood
from Europe-Canada-USA)



FR
Ash



RV
Natural Oak

**ACCESSORIES FINISHES
BOARDS**

Melamine

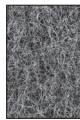


4S
White melamine



PN
Platinum Grey melamine

Felt



FY
Felt

For other finishes,
please contact our Sales Department



ISO 9001



ISO 14001

UniFor has management system certified according to UNI EN ISO 9001 and UNI EN ISO 14001. The products are in conformance with the Italian decree law DLGS 81:2008 and with all of the principal regulations applicable to the various types of products.

The products described in this catalog are made with class E1 materials (low formaldehyde content) and are Greenguard® certified.